

CABLE 083 RF: RF CABLE ASSEMBLY, HIROSE U.FL + 1.13 CABLE + STRIP / TIN

SPECIFICATIONS :

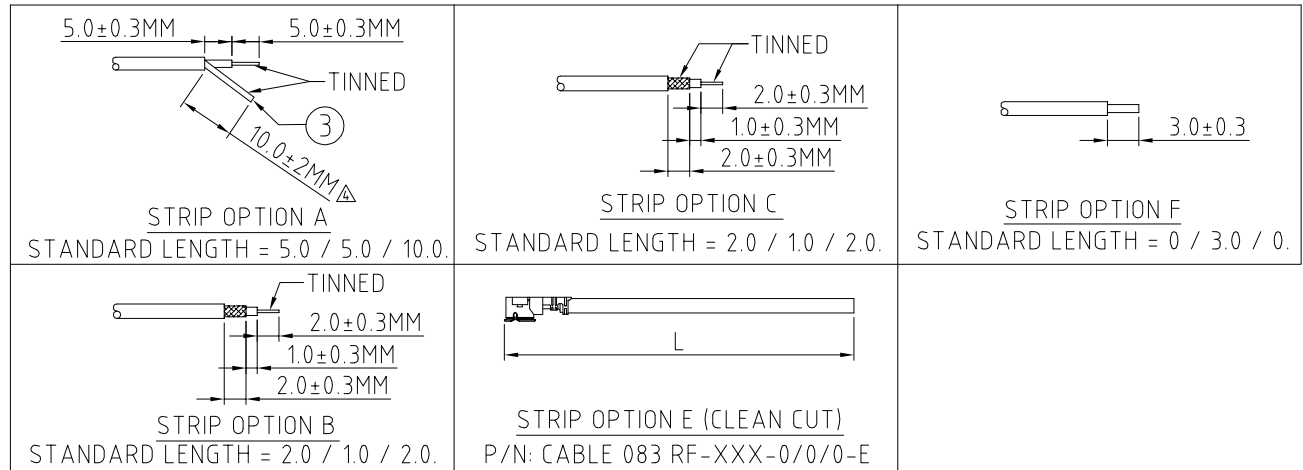
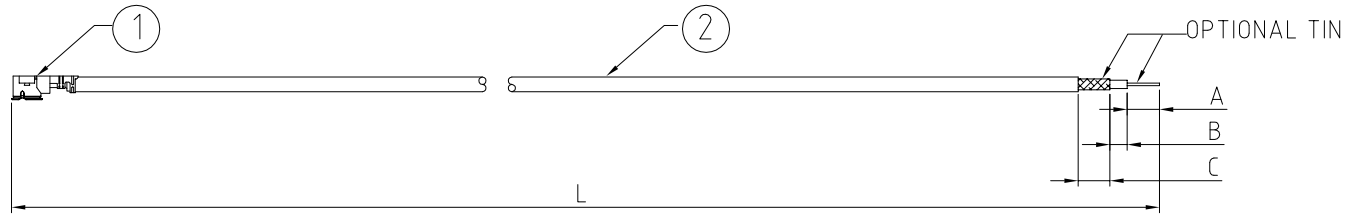
- HIROSE U.FL PLUG (U.FL-LP-068)
- 1.13MM COAXIAL CABLE, COLOR: GRAY
- TWISTED BRAID OR FLEXIBLE COPPER WIRE, LENGTH = A (CENTRE CONDUCTOR) + B (INSULATOR). MINIMUM = 6.0MM. LENGTH 6.0MM - 9.9MM: TWISTED BRAID. LENGTH +10MM: FLEXIBLE COPPER WIRE.

USAGE PRECAUTIONS: CABLES USING 'MICRO' COAX ARE DELICATE:

- HANDLE WITH CARE.
- DO NOT TWIST; APPLY EXCESSIVE FORCES OR SHARP BENDS TO THE CABLE. DO NOT FORCEFULLY DEFORM WIRES.
- CONSULT CONNECTOR MANUFACTURER'S DATASHEETS FOR DETAILED NOTES ON HANDLING INSTRUCTIONS.

NOTES:

- STRIP DIMENSION A / B / C STANDS FOR
A = CENTRE CONDUCTOR
B = INSULATOR
C = BRAID.
- INSERTION LOSS TEST REPORT IS NOT AVAILABLE.
- THIS IS OUR STANDARD OFFERING, SPECIAL DESIGNS ARE AVAILABLE, INCLUDING CUSTOM TOLERANCES AND SPECIAL BRAID TINNING DESIGNS. PLEASE CONTACT GRADCONN FOR MORE INFORMATION.
- CENTRE CONDUCTOR AND TWISTED BRAID OF COAX CABLE IS TINNED. WHEN BRAID LENGTH EXCEEDS 10MM LENGTH OF TINNED COPPER WIRE IS SOLDERED TO THE BRAID/SHIELD OF THE COAX CABLE WHICH ALLOWS SOLDERING TO PCB.
- OPERATING TEMPERATURE: -40°C TO +85°C.
- IMPEDANCE: 50 OHM.



HOW TO ORDER

CABLE 083 RF - XXX - X.X / X.X / X.X - X

"L" LENGTH IN MM

eg: 100MM = 100
(MIN. 025 - MAX. 400)
STANDARD : 100, 150, 200)
TOLERANCE: <50MM: ±2MM
51-200MM: ±5MM
201-400MM: ±7MM

A/B/C STRIP DIMENSION IN MM
FOR STANDARD LENGTH PLEASE
REFER TO DRAWINGS.
(SPECIALS AVAILABLE UPON
REQUEST.)

STRIP AND TIN OPTIONS:

- A = CENTER CONDUCTOR & TWISTED BRAID/SOLDERED COPPER WIRE
- TINNED (SEE NOTE 4 FOR SOLDER TO PCB APPLICATION)
- B = STRIPPED, END A TINNED
- C = STRIPPED, END A & C TINNED
- E = CLEAN CUT
- F = BRAID REMOVED, INSULATOR & CENTER CONDUCTOR CLEAN CUT

REV. DATE & DRN
11 27/10/08 - NYW RELEASE
12 26/11/09 - NYW OPTION
13 26/11/09 - NYW ADD STRIP OPTIONS B,C
14 ADD DECIMAL PLACE TO STRIP LENGTH
15 19/05/15 - NYW REMOVE STRIP OPTION 'D'
16 ADD STRIP OPTION 'E'
17 29/01/19 - NYW CHANGE CABLE COLOR TO GRAY
18 17/07/23 - NYW ADD STRIP OPTION 'F'
19 ADD NOTES 5 & 6

Scale: NTS	THIRD ANGLE	Unstated .X .XX .XXX ANGLES	Tolerances: N/A N/A N/A N/A	Material SEE NOTE
Drawn: NYW				NOT TO SCALE
App'd: XXX	Title CABLE ASSEMBLY			Unit: mm
Date: 8 JAN. '24	Revision: 1.9			

www.gradconn.com

THIS DRAWING IS CONFIDENTIAL AND MUST NOT BE COPIED OR DISCLOSED WITHOUT WRITTEN CONSENT

Type: Cable 083 RF
CABLE 083 RF
Drawing Number:
Sheet 1 of 1
Drawing © E and O E